

# Pre-coolers PC 200 and PC 400

## Sample coolers for use with analyzers

The coolers PC 200 and PC 400 are used for the cooling of liquids, for example for the cooling of sample water in connection with analyzers. Both models differ essentially by the length of the cooling coil. For larger quantities of cooled sample water or particularly high inlet temperatures, the PC 400 version is recommended.

- Connectors 8 mm for squeezing fitting
- Made of stainless steel type 1.4571
- Nominal pressure of coil 16 bar
- Nominal pressure of corpus 8 bar
- Electro-polished surface



Illustration: Pre-cooler PC 200

## Technical data

Type		PC 200	PC 400
Hot water pressure		16 bar	16 bar
Cold water pressure		8 bar	8 bar
Hot water temperature		80 °C	120 °C
Length of cooling coil		2,6 m	5,1 m
Hot water connection	inlet	8mm	8mm
	outlet	8mm	8mm
Cooling water connection	inlet	8mm	½" AG
	outlet	8mm	½" AG
Material	corpus	AISI316Ti4, EN 1.4571	AISI316Ti4, EN 1.4571
	cooling coil	AISI316Ti4, EN 1.4571	AISI316Ti4, EN 1.4571
	bracket	AISI316L, EN 1.4404	AISI316L, EN 1.4404
Classification of permissible fluids		class 2	class 2
Classification according to PED 97/23/CE		class A	class A
Weight		3,3 kg	4 kg

# Pre-coolers PC 200 and PC 400

## Control of cooling capacity

The water flow of the water to be cooled (hot water) and the cooling water (cold water) must be adjusted by a control valve. The control valve must be installed in the inlet of the respective water. The control valves are not included in the scope of delivery.

During commissioning, first the cooling water valve and then the hot water valve must be opened. The valves have to be adjusted until the temperature of the hot water reaches the temperature required for the analysis (usually <40 ° C).

It is recommended to use untreated drinking water for cooling.

No control valve may be installed in the outlet of hot water and / or cold water. The cooling water must have a free outlet to the sewer

## Connection for analyzers

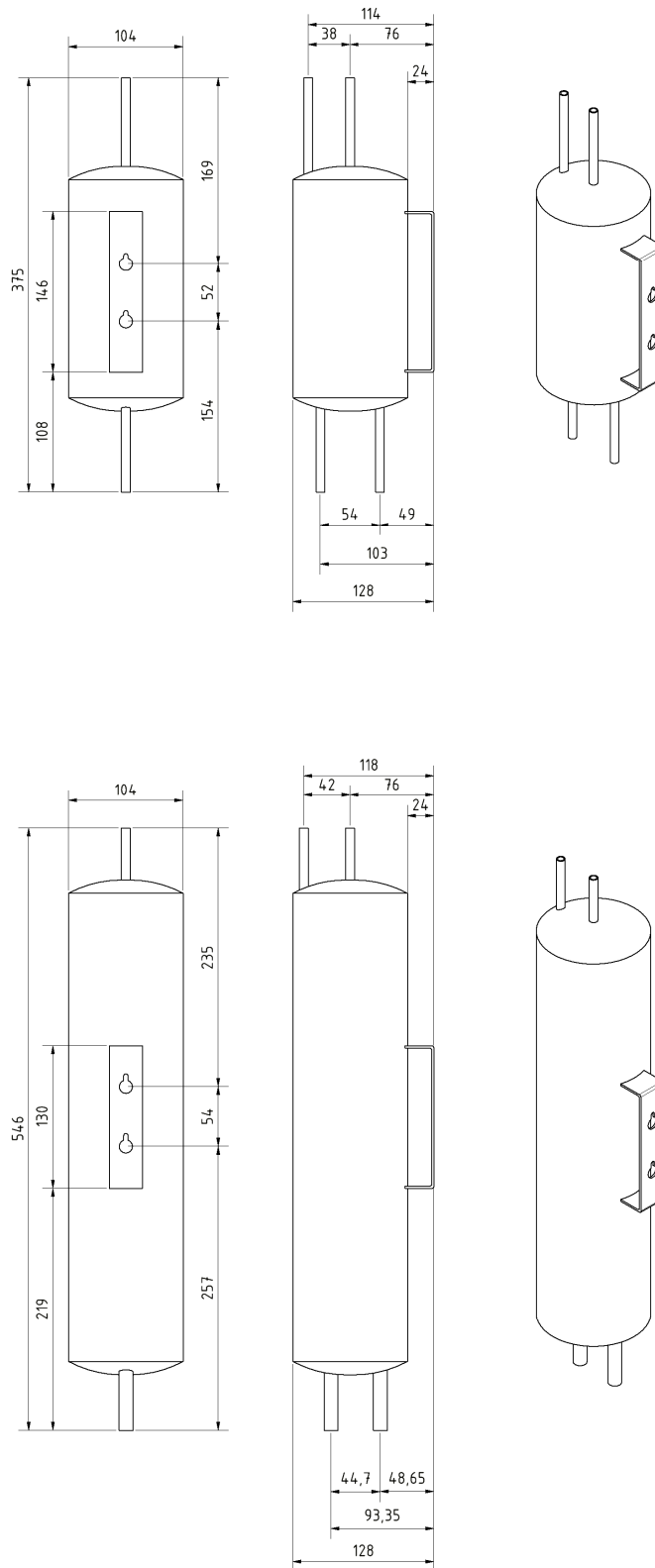
Our SYCON analyzers can switch a signal before the actual analysis. A solenoid valve in the inlet of the cooling water can be opened with this signal. After a programmable delay time (cooling time), the actual analysis takes place. The solenoid valve remains open until the end of the analysis and closes only after completion of the flushing of the measuring chamber. This system prevents continuous cooling water consumption.

## Order data

Article description	Article number	Note
Pre-cooler PC 200	30-015 100	
Pre-cooler PC 400	30-015 200	
Hot water valve HWV100	30-012110	

# Pre-coolers PC 200 and PC 400

## Dimensions



Upper drawing: pre-cooler PC 200; lower drawing: pre-cooler PC 400